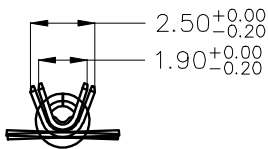
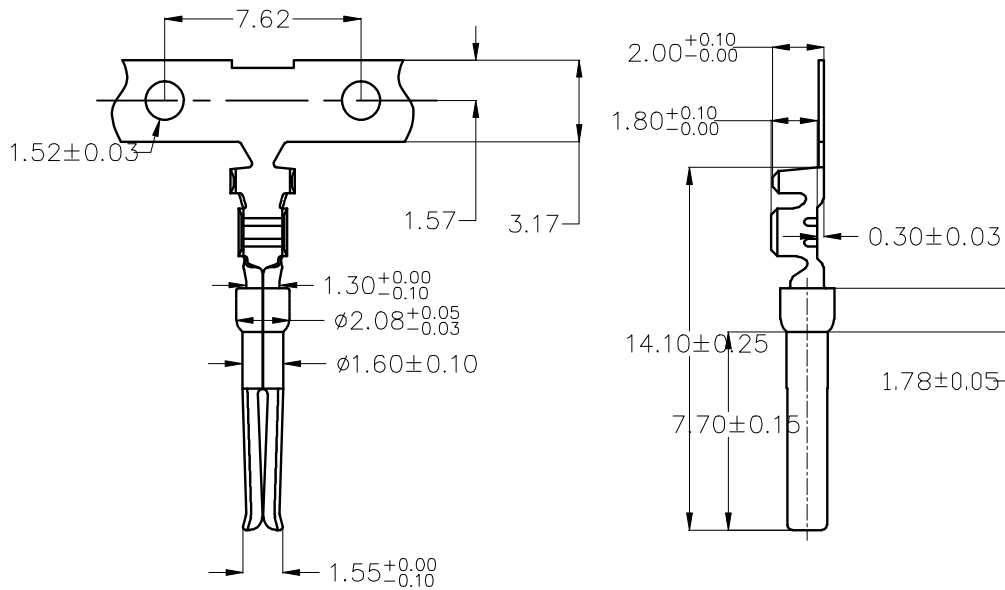


This document is the property of Amphenol Corporation and is delivered on the express condition that it is not to be disclosed, reproduced or used, in whole or in part, for manufacture or sale by anyone other than Amphenol Corporation without its prior consent, & that no right is granted to disclose or to use any information in this document.



**Customer drawing**

REVISIONS				
SYM	ECN	DESCRIPTION	DATE	APPROVED
2		Correct material	03/04/10	IP

**D-SUB TECHNICAL DATA**

**CONTACTS:**

Material: Brass

Finishes: gold flash on mating area

Contact current rating: 3A

Contact resistance: 20 mOhms max.

**PRODUCT CODE**

**L 17 RR D1 F 01 100**

L: RoHS Compliance

Wire size:  
D1=20 to 24 AWG

Contact type:  
F=female

Packaging:  
100=bulkpack unit  
(100cts)

Full gold plating:  
01=gold flash

UNLESS OTHERWISE SPECIFIED TOLERANCES	APPROVAL		DATE
	U.S.	METRIC	DRAWN
.X +/-	0.50	CHECKED	ERIC
.XX +/-	0.30	CHECKED	ERIC
.XXX +/-	0.20		
FRACTIONS +/-			
ANGLES +/-	2'		
FOR MATERIALS AND FINISHES SEE NOTES			
REMOVE SHARP EDGES			
DIMENSIONS		ANGLE OF PROJECTION	
U.S.	INCHES		
METRIC	MM		

APPROVAL		DATE	Amphenol®
DRAWN	ERIC	03/04/10	
DRAWING FILE :			TITLE
			D-sub, crimping housing 20-24AWG, Female
SIZE	DRAWING NO.	REV.	
A4	C L17RRD1F01100	2	
SCALE	NONE	SHEET 1 OF 1	