



REVISONS		DATE	APPROVED
SY#	ZONE		
B			

RELEASED TO PRODUCTION ECN# HKS85 [unrevd]

### PART NUMBER SYSTEM

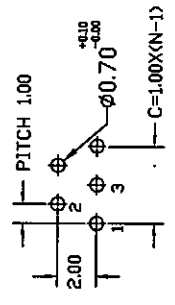
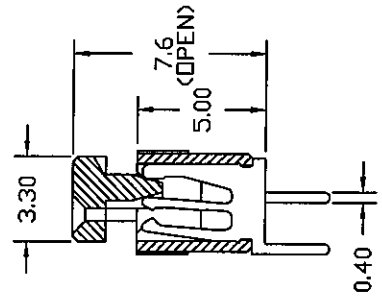
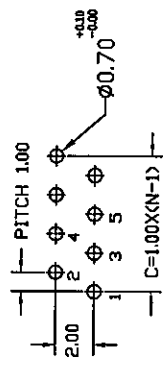
C007-10X-XXX-X X 0 X

FPC SERIES  
 FLEXPRINT  
 THK=0.3MM  
 PITCH  
 B : 1.00 MM  
 E : 1.25 MM  
 NO. OF WAYS  
 N : SEE TABLE I

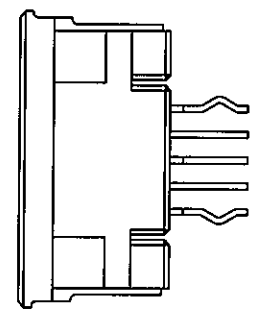
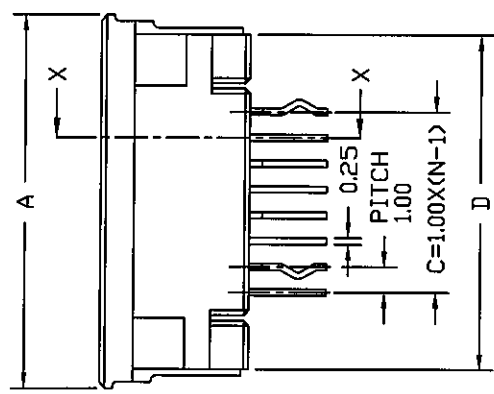
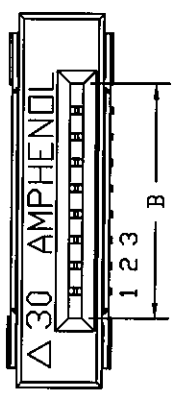
TERMINATIONS  
 -0X01 : DIP SOLDER PIN, STRAIGHT  
 -1X01 : DIP SOLDER PIN, RIGHT ANGLED  
 -0X02 : SMT PIN, RIGHT ANGLED  
 -1X02 : SMT PIN, STRAIGHT

CONTACT PLATING  
 0 : TIN/LEAD  
 1 : GOLD FLASH

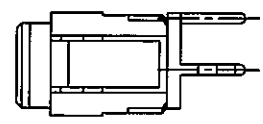
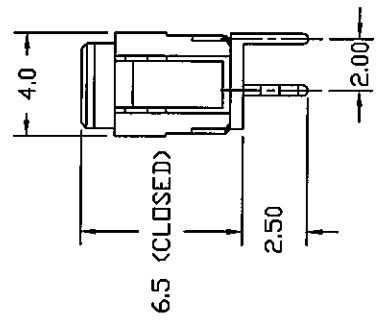
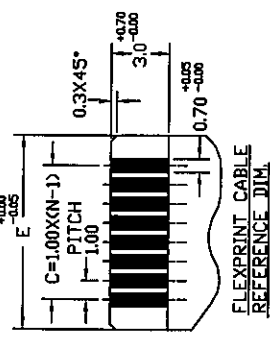
VARIATION



### CONTACT CONFIGURATION FOR EVEN POSITION



### CONTACT CONFIGURATION FOR ODD POSITION



-TABLE I-

PART NUMBERS	NO. OF WAYS (N)	A	B	C	D	E
C007-10B-005-0001	5	11.50	6.10	4.00	10.00	6.10
C007-10B-008-0001	8	14.50	9.10	7.00	13.00	9.10
C007-10B-010-0001	10	16.50	11.10	9.00	15.00	11.10
C007-10B-012-0001	12	18.50	13.10	11.00	17.00	13.10
C007-10B-014-0001	14	20.50	15.10	13.00	19.00	15.10
C007-10B-016-0001	16	22.50	17.10	15.00	21.00	17.10
C007-10B-017-0001	17	23.50	18.10	16.00	22.00	18.10
C007-10B-018-0001	18	24.50	19.10	17.00	23.00	19.10
C007-10B-020-0001	20	26.50	21.10	19.00	25.00	21.10
C007-10B-021-0001	21	27.50	22.10	20.00	26.00	22.10
C007-10B-022-0001	22	28.50	23.10	21.00	27.00	23.10
C007-10B-024-0001	24	30.50	25.10	23.00	29.00	25.10
C007-10B-025-0001	25	31.50	26.10	24.00	30.00	26.10
C007-10B-026-0001	26	32.50	27.10	25.00	31.00	27.10
C007-10B-030-0001	30	36.50	31.10	29.00	35.00	31.10

\* PENDING

UNLESS OTHERWISE SPECIFIED TOLERANCES U.S. METRIC

X ±.010  
 XX ±.005  
 XXX ±.0025  
 ANGLES ±.1°

FINISHES: 1  
 SEE TABLE I

REMOVE SHARP EDGES

DIMENSIONS: U.S. INCHES, MM

APPROVAL: [Signature]  
 DATE: [Date]

DRAWN: Y.M. LEE  
 CHECKED: H. LEE

Amphenol  
 Approved East Asia Limited  
 Manufacturing Department

TITLE: FPC, STRAIGHT DIP SOLDER PIN

SIZE DRAWING NO.: B C007-10B-XXX-0X01

SCALE: NONE

SHEET 1 OF 1

The dimensions, tolerances, finishes, and materials are subject to change without notice. The user is advised to check the latest revision of this drawing for any changes. The user is also advised to check the latest revision of the drawing for any changes. The user is also advised to check the latest revision of the drawing for any changes.