

This document is the property of Amphenol Corporation and is delivered on the express condition that it is not to be disclosed, reproduced or used in whole or in part, for manufacture or sale by anyone other than Amphenol Corporation without its prior consent, and that no right is granted to disclose or to use any information in this document.

REVISIONS				
SYM	ECN#	DESCRIPTION	DATE	APPROVED
A	HK585	RELEASED TO PRODUCTION	11/08/93	
B	HK4471	CHANGE THE PLATING FROM TIN/LEAD TO PURE TIN	6/1/07	IP

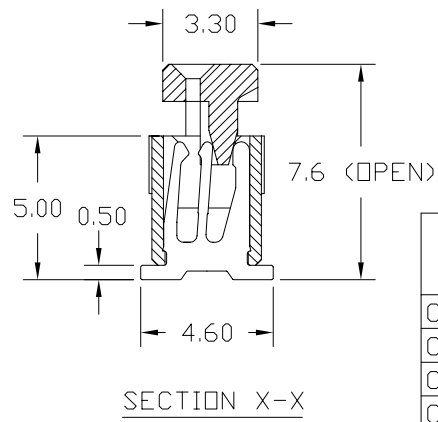
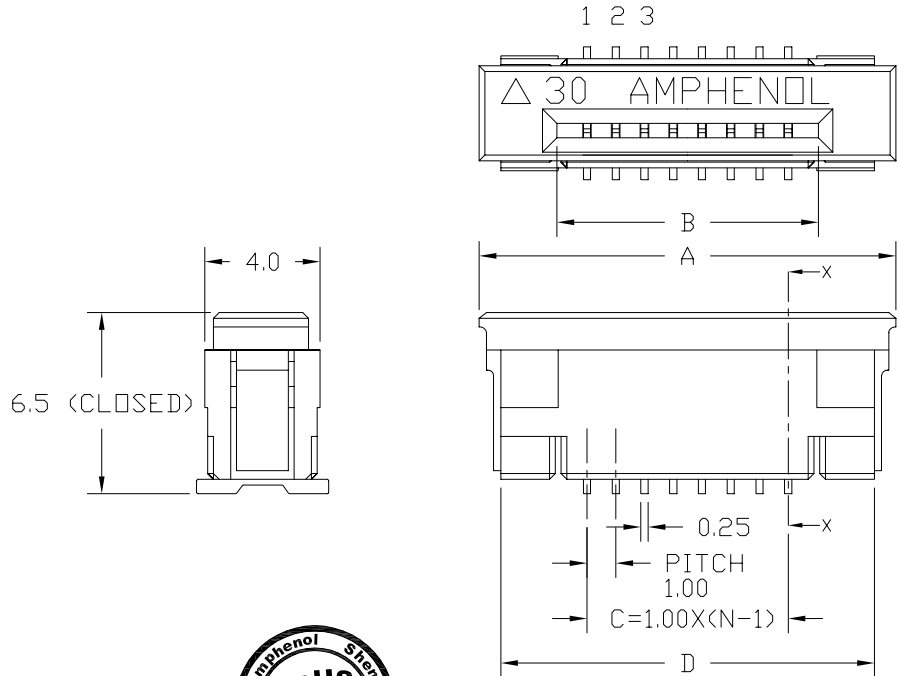
PART NUMBER SYSTEM

C007-10X-XXX-X/X 0 X

FPC SERIES
 FLEXPRINT
 THK.=0.3MM
 PITCH
 B : 1.00 MM
 E : 1.25 MM
 NO. OF WAYS
 N : SEE TABLE I

VARIATION
 CONTACT PLATING
 0 : PURE TIN
 1 : GOLD FLASH
 B

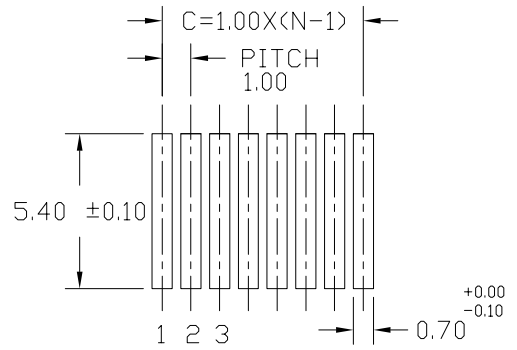
TERMINATIONS
 -0X01 : DIP SOLDER PIN, STRAIGHT
 -1X01 : DIP SOLDER PIN, RIGHT ANGLED
 -0X02 : SMT PIN, RIGHT ANGLED
 -1X02 : SMT PIN, STRAIGHT



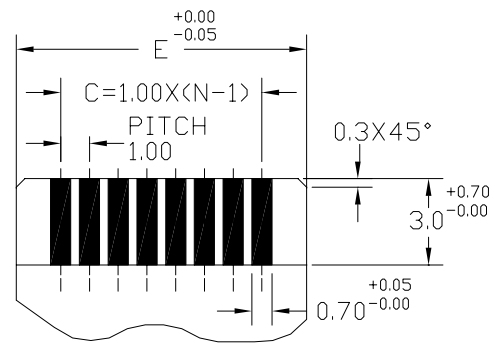
-TABLE I-

PART NUMBERS	NO.OF WAYS (N)	A	B	C	D	E
C007-10B-005-1002	5	11.50	6.10	4.00	10.00	6.10
C007-10B-008-1002	8	14.50	9.10	7.00	13.00	9.10
C007-10B-010-1002	10	16.50	11.10	9.00	15.00	11.10
C007-10B-012-1002	12	18.50	13.10	11.00	17.00	13.10
C007-10B-014-1002	14	20.50	15.10	13.00	19.00	15.10
C007-10B-016-1002	16	22.50	17.10	15.00	21.00	17.10
C007-10B-017-1002	17	23.50	18.10	16.00	22.00	18.10
C007-10B-018-1002	18	24.50	19.10	17.00	23.00	19.10
C007-10B-020-1002	20 *	26.50	21.10	19.00	25.00	21.10
C007-10B-021-1002	21 *	27.50	22.10	20.00	26.00	22.10
C007-10B-022-1002	22	28.50	23.10	21.00	27.00	23.10
C007-10B-024-1002	24 *	30.50	25.10	23.00	29.00	25.10
C007-10B-025-1002	25	31.50	26.10	24.00	30.00	26.10
C007-10B-026-1002	26	32.50	27.10	25.00	31.00	27.10
C007-10B-030-1002	30	36.50	31.10	29.00	35.00	31.10

* PENDING



RECOMMENDED PCB LAYOUT FOR SURFACE MOUNT



FLEXPRINT CABLE REFERENCE DIM.

UNLESS OTHERWISE SPECIFIED TOLERANCES U.S. METRIC X +/- 0.25 .XX +/- 0.08 .XXX +/- 0.025 FRACTIONS +/- 1" ANGLES +/- 1"	APPROVAL		DATE	Amphenol
	DRAWN	Dan He	5/31/07	
FOR MATERIALS AND FINISHES SEE NOTES	CHECKED	YH Hou	5/31/07	TITLE FPC , STRAIGHT SMT
	APPR.			
REMOVE SHARP EDGES	DRAWING FILE: Drawing\C007\C00710BXXX1X02-B.DWG			SIZE DRAWING NO. A3 C007-10B-XXX-1X02
DIMENSIONS — U.S. — INCHES (METRIC) (MM)	ANGLE OF PROJECTION			
				REV. B
	SCALE NONE			SHEET 1 OF 1