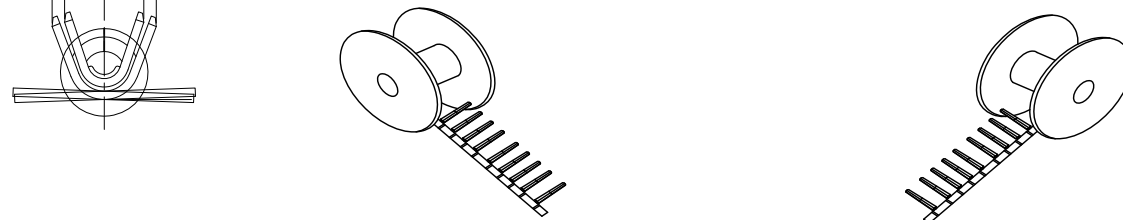
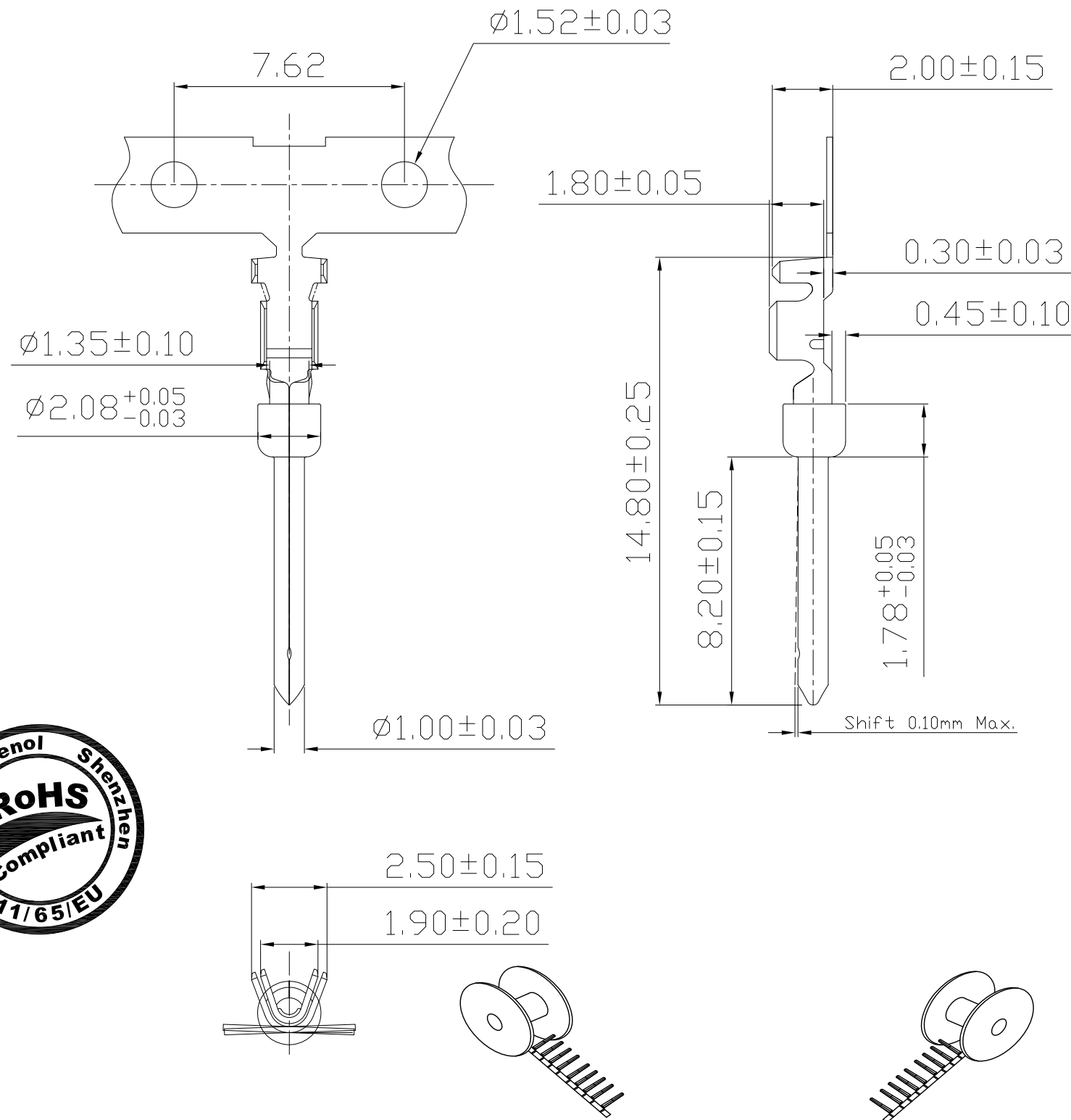


This document is the property of Amphenol Corporation and is delivered on the express condition that it is not to be disclosed, reproduced or used, in whole or in part, for manufacture or sale by anyone other than Amphenol Corporation without its prior consent, & that no right is granted to disclose or to use any information in this document.

# Customer drawing



Left to right feed reel:G right to left feed reel: K

REVISIONS				
SYM	ECN	DESCRIPTION	DATE	APPROVED
1	HK--	First Release Drawing	04/23/13	IP

## D-SUB TECHNICAL DATA

### CONTACTS:

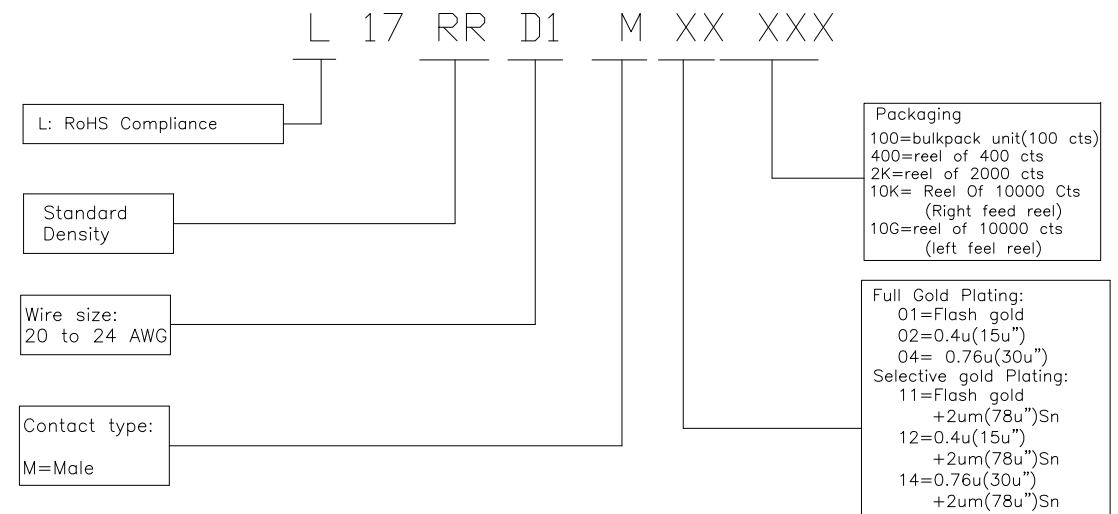
Material: Brass

Finishes: see P/N system

Contact current rating: 3A

Contact resistance: 20 mOhms max.

### PRODUCT CODE



UNLESS OTHERWISE SPECIFIED TOLERANCES		APPROVAL		DATE
	U.S.	METRIC	DRAWN	Felix.Liu
.X	+/-	0.50	CHECKED	Tony.Tang
.XX	+/-	0.30	CHECKED	
.XXX	+/-	0.20		
FRACTIONS	+/-			
ANGLES	+/-	5°		
FOR MATERIALS AND FINISHES SEE NOTES		DRAWING FILE :		
REMOVE SHARP EDGES		ANGLE OF PROJECTION		
DIMENSIONS				
U.S.	INCHES			
METRIC	MM			

Amphenol		
Amphenol East Asia Limited		
TITLE		
Stamped and formed contact,RR series		
SIZE	DRAWING NO.	REV.
A4	C L17RRD1MXXXXX	1
SCALE	NONE	SHEET 1 OF 1