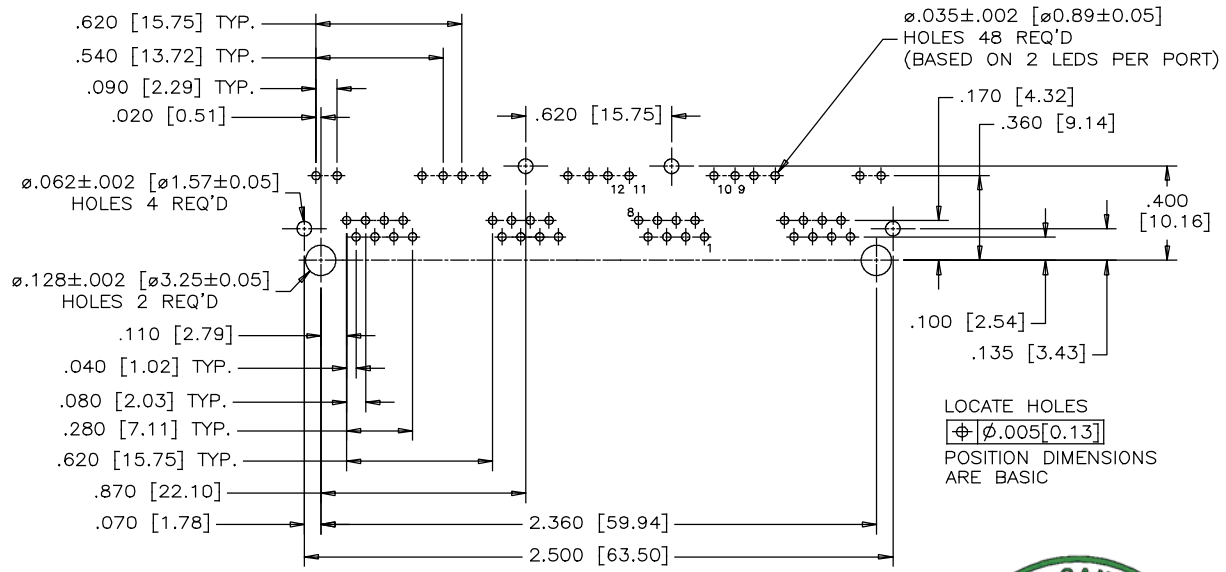
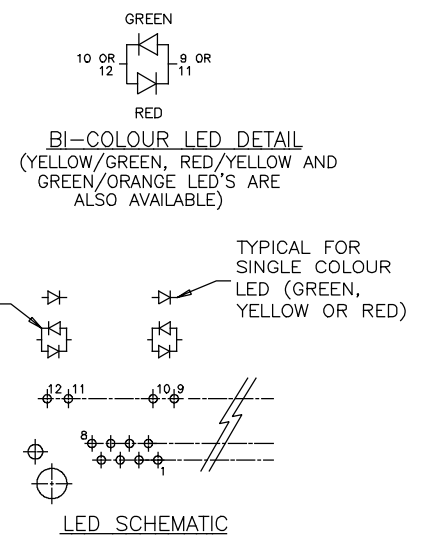
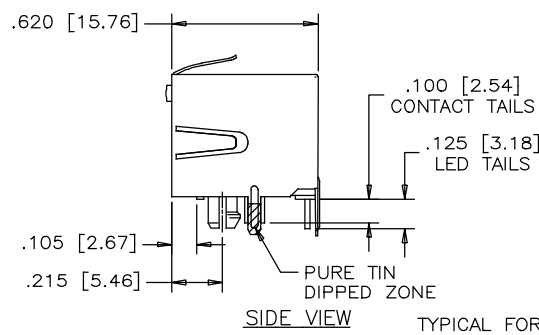
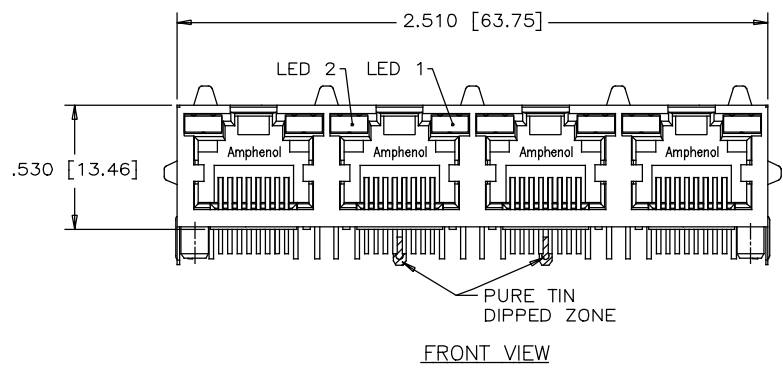


REVISIONS			
REV	DESCRIPTION, ECN, EAR NO.	DATE	APP'D
E	PROPOSAL	JUL 10/08	L.CHAN
F	PROPOSAL	NOV 02/10	L.CHAN
G	ADD DIMENSIONS TOLERANCE	AUG 09/16	L.CHAN



MATERIALS:

PLASTIC HOUSING: HIGH TEMPERATURE THERMOPLASTIC
FLAMMABILITY RATING UL 94V-0

CONTACTS: PHOSPHOR BRONZE
PLATING: 50 μ " [1.27 MICRONS]
MIN. GOLD ON MATING SURFACES.
50 μ " [1.27 MICRONS]
MIN. NICKEL UNDERPLATE
100 μ " [2.54 MICRONS]
MIN. MATTE TIN ON CONTACT TAILS.

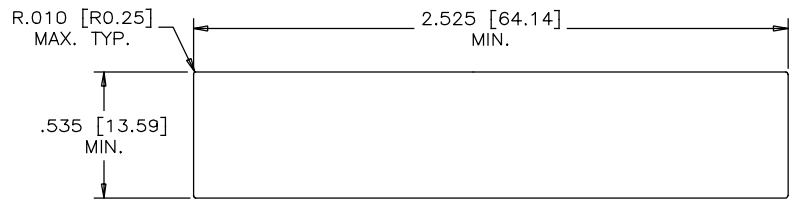
SHIELD: COPPER ALLOY
PLATING: NICKEL WITH PURE-TIN DIPPED PCB TAILS.

RECOMMENDED SOLDERING TEMPERATURE:
WAVE SOLDERING AT 260°C MAXIMUM FOR 5 SEC MAXIMUM.



PART NUMBER: RJHSE-538X-04

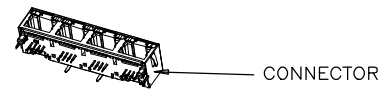
REFER TO LED OPTIONS DRAWING FOR ORDERING CODES



UNLESS SPECIFIED OTHERWISE	DRAWN P.WANG	DATE APR 14/06
PRIMARY UNITS INCH	CHECKED CHIGOW,X	APR 14/06
SECONDARY MILLIMETER	M.E. APP'D	
REFERENCE IN PARENTHESES	Q.A. APP'D	
GENERAL TOLERANCES	DWG APPR.	
1 DECIMAL PLACE ± 0.025	ENG. REL. NO.	
2 DECIMAL PLACES ± 0.020	REF.	
3 DECIMAL PLACES ± 0.015		
ANGULAR DEGREES $\pm 1.0^\circ$	THIRD ANGLE PROJECTION	DO NOT SCALE DRAWING

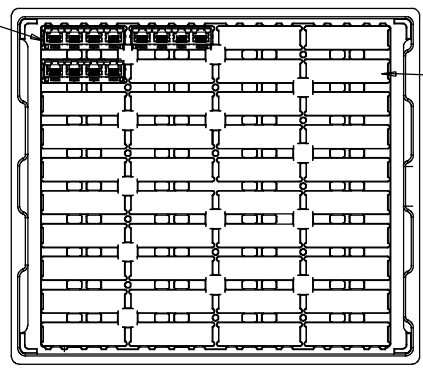
Amphenol Canada Corp. www.amphenolcanada.com	
TITLE	4 PORT, HIGH SPEED, MODULAR JACK, 8 POSITION, 8 CONTACTS, SHIELDED WITH LED'S - RoHS COMPLIANT
DWG. NO.	P-RJHSE-538X-04
CODE ID NO. 03554	DWG SIZE: C SCALE: N/A SHEET 1 OF 2

REVISIONS			
REV	DESCRIPTION, ECN, EAR NO.	DATE	APP'D
E	PROPOSAL	JUL 10/08	L.CHAN
F	PROPOSAL	NOV 02/10	L.CHAN
G	ADD DIMENSIONS TOLERANCE	AUG 09/16	L.CHAN

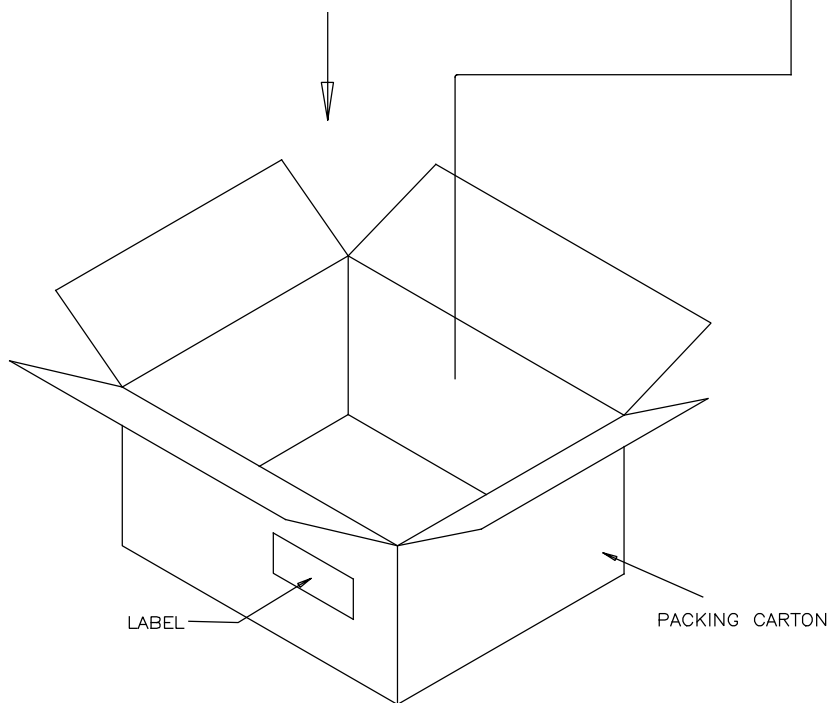


CONNECTOR

CONNECTOR PLACE SCHEMATIC

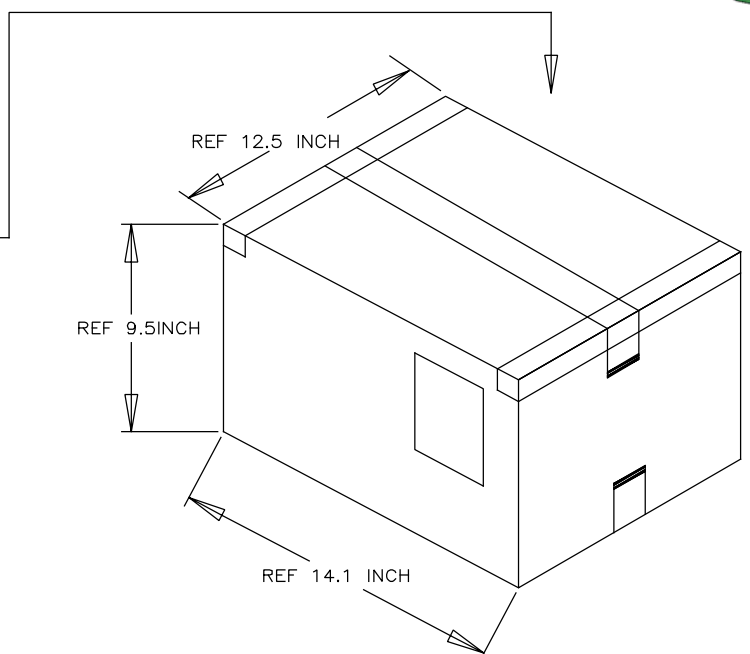


PACKING TRAY



LABEL

PACKING CARTON



- NOTES:
 PACKAGING QUANTITY:
 1. 40PCS / TRAY
 2. 12 TRAYS / CARTON
 480 PCS CONNECTORS / CARTON

UNLESS SPECIFIED OTHERWISE	DRAWN P.WANG	DATE APR 14/06
PRIMARY UNITS INCH	CHECKED CHIGOW.X	APR 14/06
SECONDARY MILLIMETER	M.E. APP'D	
REFERENCE IN PARENTHESES	Q.A. APP'D	
GENERAL TOLERANCES	DWG APPR.	
1 DECIMAL PLACE ±0.025	ENG. REL. NO.	
2 DECIMAL PLACES ±0.020	REF.	
3 DECIMAL PLACES ±0.015	THIRD ANGLE PROJECTION	DO NOT SCALE DRAWING
ANGULAR DEGREES ±1.0°		

Amphenol Canada Corp.
 www.amphenolcanada.com

TITLE: 4 PORT, HIGH SPEED, MODULAR JACK, 8 POSITION, 8 CONTACTS, SHIELDED WITH LED'S - RoHS COMPLIANT

DWG. NO. P-RJHSE-538X-04

CODE ID NO. 03554 | DWG SIZE: c | SCALE: N/A | SHEET 2 OF 2

THIS DOCUMENT CONTAINS PROPRIETARY INFORMATION AND SUCH INFORMATION MAY NOT BE DISCLOSED TO OTHERS FOR ANY PURPOSE OR USED FOR MANUFACTURING PURPOSES WITHOUT WRITTEN PERMISSION FROM AMPHENOL CANADA CORP.