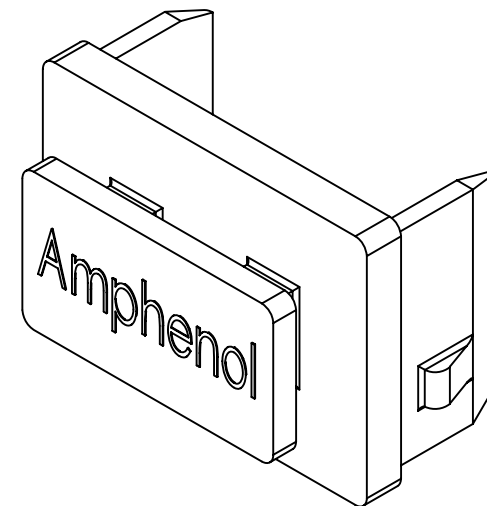
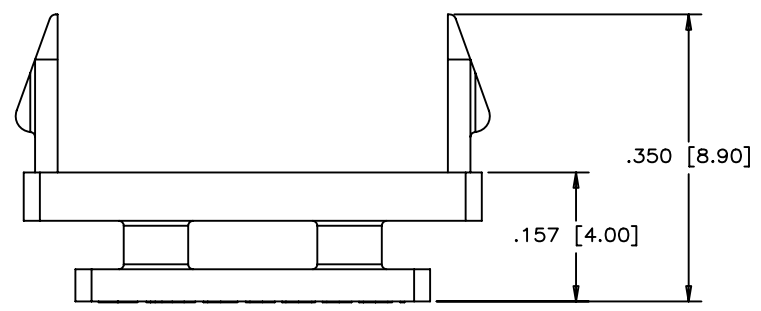
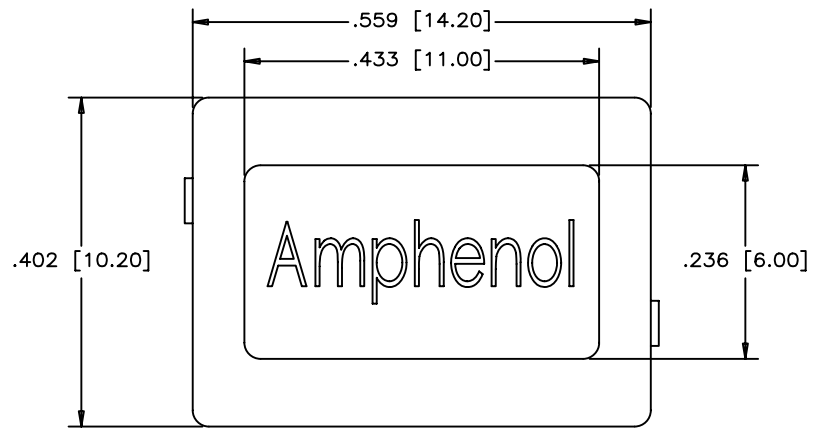


REVISIONS				
SYM	ZONE	ECN, ERN NO.	DATE	APPRD.
A		PROPOSAL	2006/01/12	

THIS IS A CAD DRAWING. DO NOT MANUALLY REVISE.



ISOMETRIC VIEW



MATERIAL:  
THERMOPLASTIC, COLOR BLACK.

THIS DOCUMENT CONTAINS PROPRIETARY INFORMATION AND SUCH INFORMATION MAY NOT BE DISCLOSED TO OTHERS FOR ANY PURPOSE OR USED FOR MANUFACTURING PURPOSES WITHOUT WRITTEN PERMISSION FROM AMPHENOL CANADA CORP.

DRAWN	J.SI	DATE	2006/01/11	Amphenol Canada Corp.	
DESIGNED	J.SI	DATE	2006/01/11		
CHECKED				TITLE	
I. E. APPRD.				DUST COVER	
Q. A. APPRD.				SFP CAGE	
DWG. APPRD.				DWG	DRAWING NO.
ENG. REL. NO.				A	P-U77-A1110-8000P
REF.				REV.	A
DIMENSIONS ARE IN			CODE ID. NO.	SCALE	4:1
INCHES (mm)			03554	WT.	-----
				SURF.	-----
				SHEET	1 OF 1