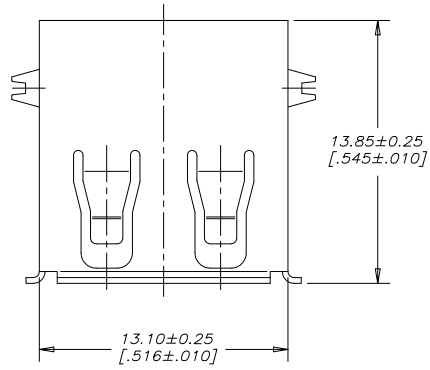


REVISIONS			
REV	DESCRIPTION, ECN, EAR NO.	DATE	APP'D
E	PRODUCT DRAWING (EAR14178)	OCT16/15	K.L.

TOP VIEW



AMPHENOL PART NUMBER: U E 2 7 - A C X 4 - X 0 X

SERIES
 UE27 = USB 2.0 RECEPTACLE, RoHS COMPLIANT

TYPE
 A = SERIES A

STYLE
 C = RIGHT ANGLE PCB

CONTACT PLATING OPTION
 5 = 0.76 MICRONS [30µin] MIN. GOLD OVER 1.27 MICRONS [50µin] MIN. NICKEL ON CONTACT MATING AREA.
 2.54 MICRONS [100µin] TIN PLATING ON CONTACT TAILS.
 7 = GOLD FLASH OVER 1.27 MICRONS [50µin] MINIMUM NICKEL ON CONTACT MATING AREA.
 2.54 MICRONS [100µin] TIN PLATING ON CONTACT TAILS.

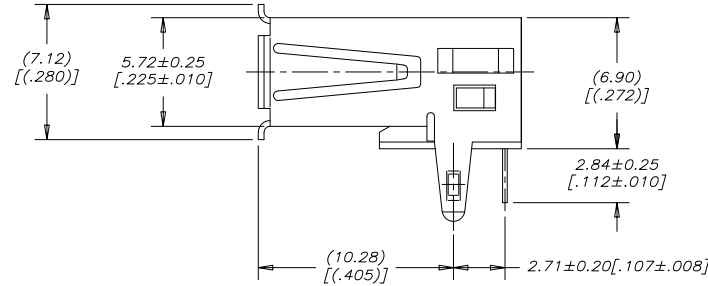
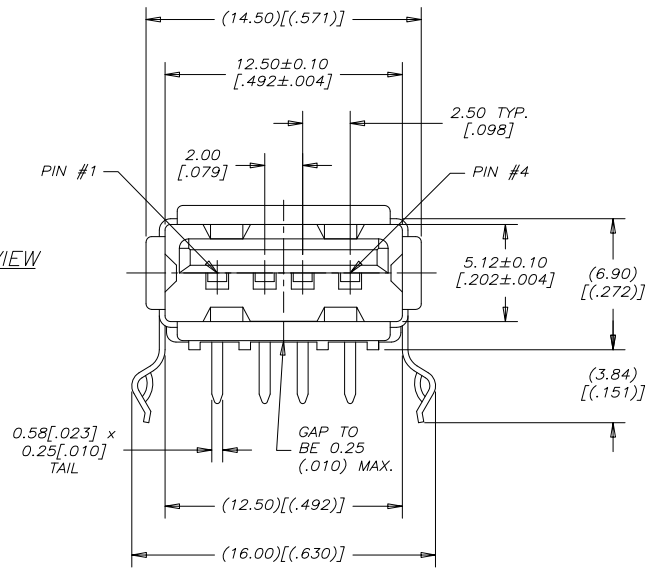
MODIFIER
 0 = PBT HOUSING
 H = HIGH TEMPERATURE HOUSING (MAXIMUM TEMPERATURE RATING 260°C FOR 10s)

SHIELDING STYLE
 0 = NO REAR SHIELD

COLOUR
 1 = BLACK
 2 = BEIGE (AVAILABLE FOR PBT HOUSING ONLY)

NUMBER OF CONTACTS
 4 = 4 CONTACTS

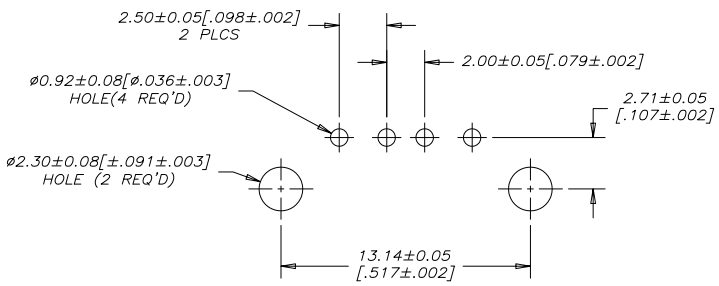
FRONT VIEW



SIDE VIEW

NOTES:

- ALL PARTS ARE RoHS COMPLIANT PER EU DIRECTIVE 2011/65/EU AND AMENDMENTS
- HOUSING: ENGINEERING THERMOPLASTIC, FLAMMABILITY RATING UL94V-0., SEE PART NUMBER ORDERING CODE FOR OPTIONS.
- CONTACTS: COPPER ALLOY. CONTACT PLATING: SEE PART NUMBER ORDERING CODE FOR OPTIONS.
- SHELL: COPPER ALLOY. PLATING: NICKEL OVER COPPER UNDERPLATE.
- OPERATING TEMPERATURE: -40°C TO +85°C



RECOMMENDED PC BOARD LAYOUT
 COMPONENT SIDE OF BOARD



UNLESS SPECIFIED OTHERWISE	DRAWN CHIGOW XU	05/12/05
PRIMARY UNITS MILLIMETERS	CHECKED PAUL WANG	05/12/05
SECONDARY INCHES	M.E. APP'D	
REFERENCE IN PARENTHESES	Q.A. APP'D	
GENERAL TOLERANCES	DWG APP'D	
1 DECIMAL PLACE	ENG. REL. NO. EAR 12884	
2 DECIMAL PLACES ±0.25	REF.	
3 DECIMAL PLACES	THIRD ANGLE PROJECTION	DO NOT SCALE DRAWING
ANGULAR DEGREES		

Amphenol Canada Corp.
 www.amphenolcanada.com

UE27 SERIES USB RECEPTACLE, SERIES A, RIGHT ANGLE PCB TAIL, RoHS COMPLIANT

DWG NO. P-UE27-ACX4-X0X

REV E

CODE ID NO. 03554 | DWG SIZE X | SCALE 5:1 | SHEET 1 OF 1